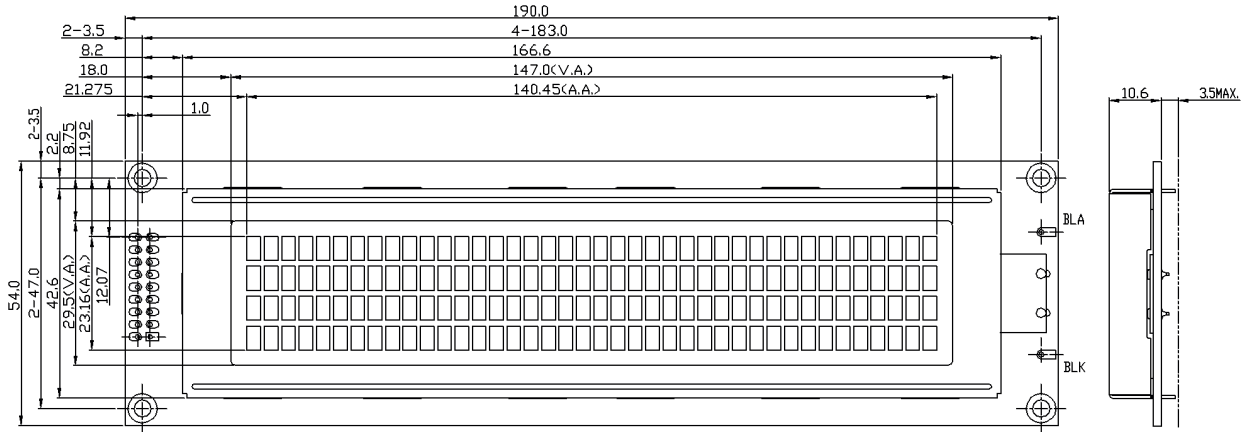


OUTLINE DRAWING



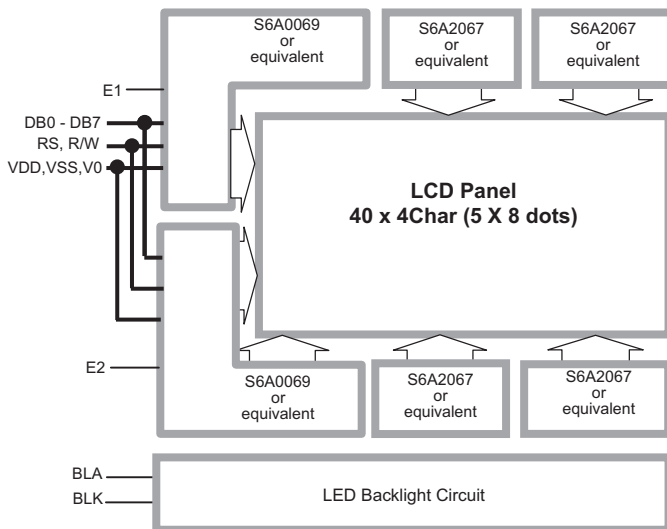
TERMINAL FUNCTIONS

Pin	Name	Descriptions
1	VSS	0V Power Supply, Ground
2	VDD	Positive Power Supply
3	V0	LCD Contrast Reference Supply
4	RS	Register Select RS=HIGH: Transferring Display Data RS=LOW: Transferring Instruction Data
5	R/W	Read/Write Control Bus R/W=HIGH: Read Mode Selected R/W=LOW: Write Mode Selected
6	E1	Data Enable
7	E2	Data Enable
8	DB0	Bi-directional Tri-state Data Bus
:	:	
15	DB7	
16	NC	No connection (leave open)
17	BLA	LED Backlight Positive Power Supply
18	BLK	LED Backlight Negative Power Supply

DISPLAY CHARACTERISTICS

Item	Value
LCD Display Mode	STN-YG, Positive, Transflective
Viewing Angle	6:00
Driving Method	1/16 duty, 1/5 bias
Backlight [#]	Yellow Green LED Backlight

BLOCK DIAGRAM



MECHANICAL DATA

Item	Value
Outline (mm)	190.0 x 54.0 x 14.1MAX
Viewing Area (mm)	147.0 x 29.5
Active Area (mm)	140.45 x 23.16
Character Pitch (mm)	0.57 x 0.62
Character Size (mm)	0.5 x 0.55

ABSOLUTE MAXIMUM

Item	Symbol	Min	Max
Operating Voltage (V)	V _{DD}	0	6.0
Operating Temperature (°C)	T _{OP}	0	+50
Storage Temperature (°C)	T _{ST}	-20	+60

ELECTRICAL CHARACTERISTICS^{*}

Item	Symbol	Min	Typ	Max
Operating Voltage (V)	V _{DD}	4.7	5.0	5.3
Input High Voltage (V)	V _{IH}	0.8 V _{DD}	-	V _{DD}
Input Low Voltage (V)	V _{IL}	V _{SS}	-	0.5
Operating Current (mA)	I _{DD}	-	2.0	7.0

BACKLIGHT CHARACTERISTICS

Item	Symbol	Min	Typ	Max
Forward Voltage (V)	V _{fBLA}	-	4.1	-
Forward Current (mA)	I _{fBLA}	-	500	600

LMB404A series

	Highlight	
	LCD Mode	Voltage
LMB404ABY*	STN-YG	5.0V

For similar product or (semi) custom made LCD module, please visit our web site or contact us.

*The above product information is based on this model.