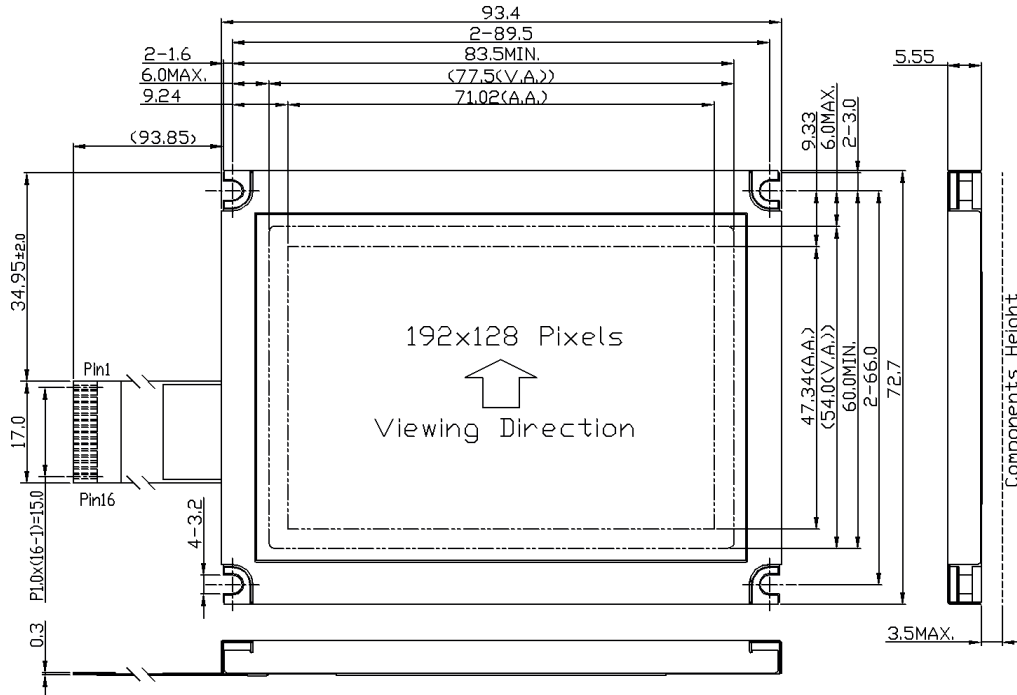


OUTLINE DRAWING



TERMINAL FUNCTIONS

Pin	Name	Descriptions
1	VOUT	LCD Driver Supply
2	V0	LCD Contrast Reference Input
3	NC	No connection (leave open)
4	VDD	Positive Power Supply
5	VSS	0V Power Supply, Ground
6	D0	Display Data
7	D1	
8	D2	
9	D3	
10	/DISPOFF	Display ON/OFF control signal /DISPOFF = 0, display off /DISPOFF = 1, display on
11	LP	Line Pulse signal For Latching the segment buffer to the segment buffer
12	M	Controlling signal for the LCD AC driver
13	CP	Clock Pulse signal For shifting the data (D0-D3) into the segment buffer
14	FLM	First Line Marker
15	BLA	LED Backlight Positive Power Supply
16	VSS	0V Power Supply, Ground

DISPLAY CHARACTERISTICS

Item	Value
LCD Display Mode	FSTN, Positive, Transflective
Viewing Angle	6:00
Driving Method	1/128 duty, 1/12 bias
Backlight	White LED backlight

MECHANICAL DATA

Item	Value
Outline (mm)	93.4 x 72.7 x 9.05 MAX.
Viewing Area (mm)	77.5 x 54.0
Active Area (mm)	71.02 x 47.34
Dot Pitch (mm)	0.37 x 0.37
Dot Size (mm)	0.35 x 0.35

ABSOLUTE MAXIMUM

Item	Symbol	Min	Max
Operating Voltage (V)	V _{DD}	0	6.5
Operating Temperature (°C)	T _{OP}	-20	+70
Storage Temperature (°C)	T _{ST}	-30	+80

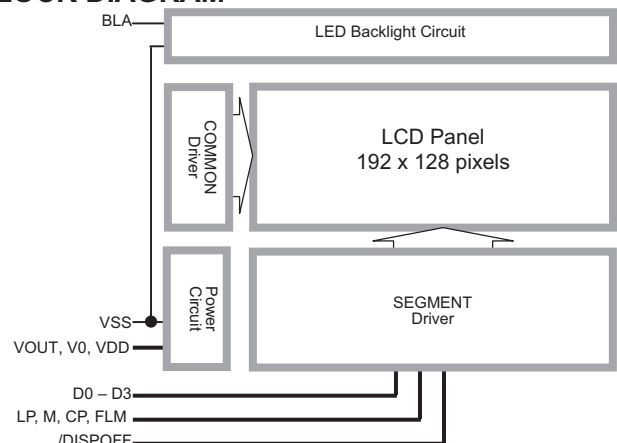
ELECTRICAL CHARACTERISTICS

Item	Symbol	Min	Typ	Max
Operating Voltage (V)	V _{DD}	2.7	5.0	5.5
Input High Voltage (V)	V _{IH}	0.85V _{DD}	-	V _{DD}
Input Low Voltage (V)	V _{IL}	V _{SS}	-	0.15 V _{DD}
Operating Current (mA)	I _{DD}	-	0.5	3.0

BACKLIGHT CHARACTERISTICS

Item	Symbol	Min	Typ	Max
Forward Voltage (V)	V _{fBLA}	-	5.0	-
Forward Current (mA)	I _{fBLA}	-	85	110

BLOCK DIAGRAM



LM1095N series

	Highlight	
	LCD Mode	DC-DC
LM1095NCW*	FSTN-Pos	Built-in
LM1095NFW	STN-Blue	Built-in

For similar product or (semi) custom made LCD module, please visit our web site or contact us.

*The above product information is based on this model.