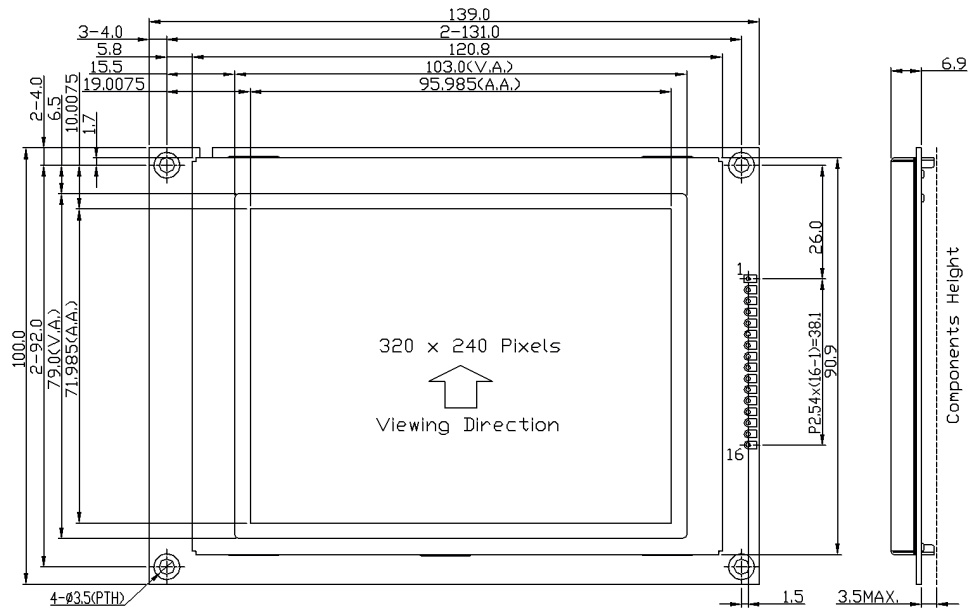


OUTLINE DRAWING



TERMINAL FUNCTIONS

Pin	Name	Descriptions
1	FLM	First Line Marker Input
2	LP	Line Pulse Signal Input
3	CP	Clock Pulse Signal Input
4	M	LCD AC Driving Input
5	V0	LCD Contrast Reference Input
6	VDD	Positive Power Supply
7	VSS	0V Power Supply, Ground
8	VOU	DC/DC Power Output
9	XD0	4-bit Display Data Input
:	:	
12	XD3	
13	/DISPOFF	Display ON/OFF Control Signal Input
14	NC	No Connection(leave open)
15	BLA	Positive Power for LED Backlight
16	BLK	Negative Power for LED Backlight

DISPLAY CHARACTERISTICS

Item	Value
LCD Display Mode*	STN, Negative, Transmissive
Viewing Angle	6:00
Driving Method	1/240 duty, 1/14 Bias
Backlight#	White LED Backlight

MECHANICAL DATA

Item	Value
Outline (mm)	139.0 x 100.0 x 10.4 MAX.
Viewing Area (mm)	103.0 x 79.0
Active Area (mm)	95.985 x 71.985
Dot Pitch (mm)	0.30 x 0.30
Dot Size (mm)	0.285 x 0.285

ABSOLUTE MAXIMUM

Item	Symbol	Min	Max
Operating Voltage (V)	V _{DD}	-0.3	+6.0
Operating Temperature (°C)	T _{OP}	-20	+70
Storage Temperature (°C)	T _{ST}	-30	+80

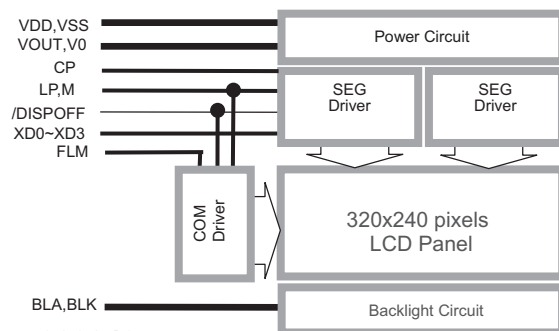
ELECTRICAL CHARACTERISTICS*

Item	Symbol	Min	Typ	Max
Operating Voltage (V)	V _{DD}	3.0	3.3	5.3
Input High Voltage (V)	V _{IN}	0.8 V _{DD}	-	V _{DD}
Input Low Voltage (V)	V _{IN}	0	-	0.2V _{DD}
Operating Current (mA)	I _{DD}	-	49	190

BACKLIGHT CHARACTERISTICS

Item	Symbol	Min	Typ	Max
Forward Voltage (V)	V _{fBLA}	-	3.3	-
Forward Current (mA)	I _{fBLA}	-	170	200

BLOCK DIAGRAM



LM320240B series

	Highlight	
		# Voltage
LM320240BFW*	STN-Blue	3.3V

For similar product or (semi) custom made LCD module, please visit our web site or contact us.

*The above product information is based on this model.