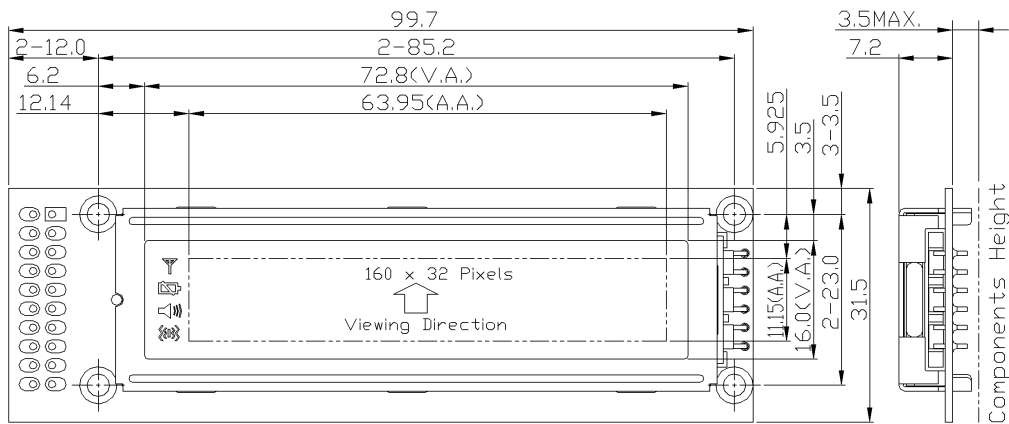


OUTLINE DRAWING



TERMINAL FUNCTIONS

Pin	Name	Descriptions
1	VSS	0V Power Supply, Ground
2	VDD	Positive Power Supply
3	V0	LCD Contrast Reference
4	VOOUT	Power Booster Output for V0
5	/RES	Reset signal Resetting: rising edge and falling edge of /RES Normal Running: /RES = High
6	DB7	8 bit Data Bus
:	:	There state I/O Terminal for display data or instruction data
13	DB0	
14	R/W	Read/ Write Control Signal
15	A0	A0=H:DB0-DB7 = Display RAM data A0=L:DB0-DB7 = Instruction data
16	E1	Enable access to the left selection (60Column) of the LCD Module
17	E2	Enable access to the middle (80Column) of the LCD Module
18	E3	Enable access to the right selection (20Column) of the LCD Module
19	BLA	LED Backlight Positive Power Supply
20	BLK	LED Backlight Negative Power Supply

DISPLAY CHARACTERISTICS

Item	Value
LCD Display Mode	STN-YG, Positive, Transflective
Viewing Angle	6:00
Driving Method	1/32 duty, 1/5 bias
Backlight [#]	Green LED Backlight

MECHANICAL DATA

Item	Value
Outline (mm)	99.7 x 31.5 x 10.7MAX
Viewing Area (mm)	72.8 x 16.0
Active Area (mm)	63.95 x 11.15
Dot Pitch (mm)	0.40 x 0.35
Dot Size (mm)	0.35 x 0.30

ABSOLUTE MAXIMUM

Item	Symbol	Min	Max
Operating Voltage (V)	V _{DD}	0	7.0
Operating Temperature (°C)	T _{OP}	0	+50
Storage Temperature (°C)	T _{ST}	-10	+60

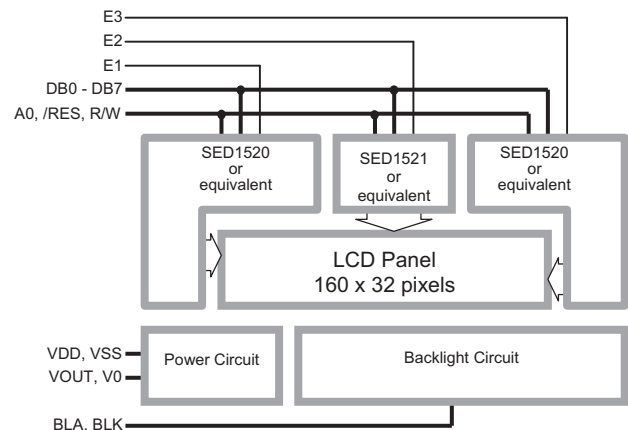
ELECTRICAL CHARACTERISTICS

Item	Symbol	Min	Typ	Max
Operating Voltage (V)	V _{DD}	4.8	5.0	5.2
Input High Voltage (V)	V _{IH}	4.0	-	V _{DD}
Input Low Voltage (V)	V _{IL} V	ss	-	0.6
Operating Current (mA)	I _{DD}	-	1.2	4.5

BACKLIGHT CHARACTERISTICS

Item	Symbol	Min	Typ	Max
Forward Voltage (V)	V _{fBLA}	-	5.0	-
Forward Current (mA)	I _{fBLA}	-	51	75

BLOCK DIAGRAM



LM3123 series

	Highlight	
	LCD Mode	# Backlight
LM3123	STN-YG	Nil
LM3123-1*	STN-YG	Green LED

For similar product or (semi) custom made LCD module, please visit our web site or contact us.

*The above information is based on this model.