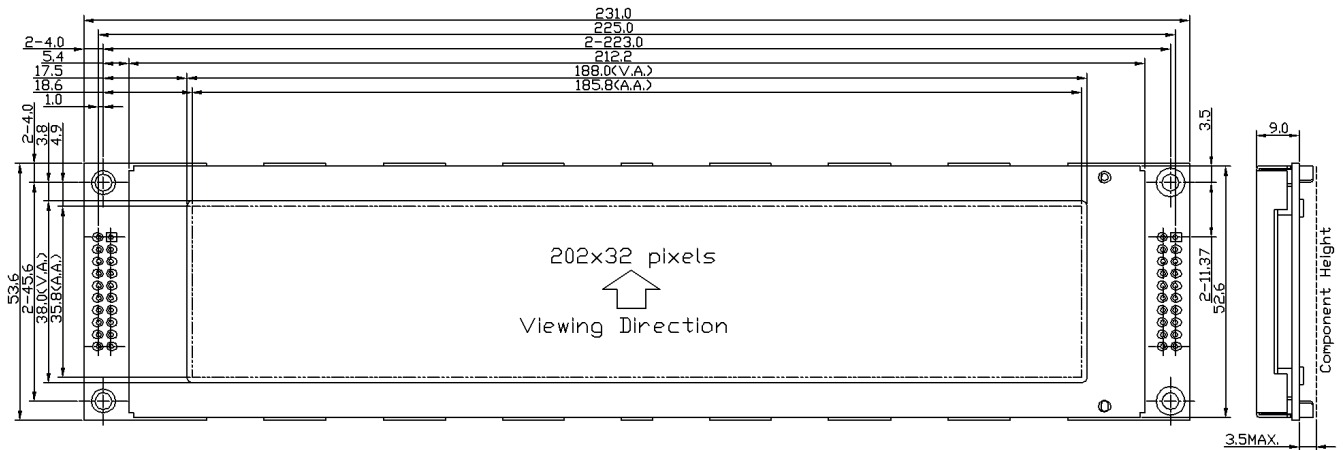


OUTLINE DRAWING



TERMINAL FUNCTIONS

Pin	Name	Descriptions
1	VSS	0V Power Supply, Ground
2	VDD	Positive Power Supply
3	V0	LCD Contrast Reference
4	VOOUT	LCD Booster Output for V0
5	/RES	Reset Signal Resetting: rising edge and falling edge Normal Running: /RES = High
6	DB7	8 bit bi-directional Data Bus For display data or instruction data
:	:	
13	DB0	
14	R/W	Read/ Write Control Signal
15	A0	A0=H: DB0-DB7 = Display RAM data A0=L: DB0-DB7 = Instruction data
16	E1	Enable access to the left selection (61 column) of the LCD Module
17	E2	Enable access to the middle (80 column) of the LCD Module
18	E3	Enable access to the right selection (61 column) of the LCD Module
19	BLA	LED Backlight Positive Power Supply
20	BLK	LED Backlight Negative Power Supply

DISPLAY CHARACTERISTICS

Item	Value
LCD Display Mode*	FSTN, Negative, Transmissive
Viewing Angle	6:00
Driving Method	1/32 duty, 1/5 bias
Backlight#	Green LED Backlight

MECHANICAL DATA

Item	Value
Outline (mm)	231.0 x 53.6 x 12.5MAX
Viewing Area (mm)	188.0 x 38.0
Active Area (mm)	185.8 x 35.8
Dot Pitch (mm)	0.92 x 1.12
Dot Size (mm)	0.88 x 1.08

ABSOLUTE MAXIMUM

Item	Symbol	Min	Max
Operating Voltage (V)	V _{DD}	0	+7.0
Operating Temperature (°C)	T _{OP}	-20	+70
Storage Temperature (°C)	T _{ST}	-30	+80

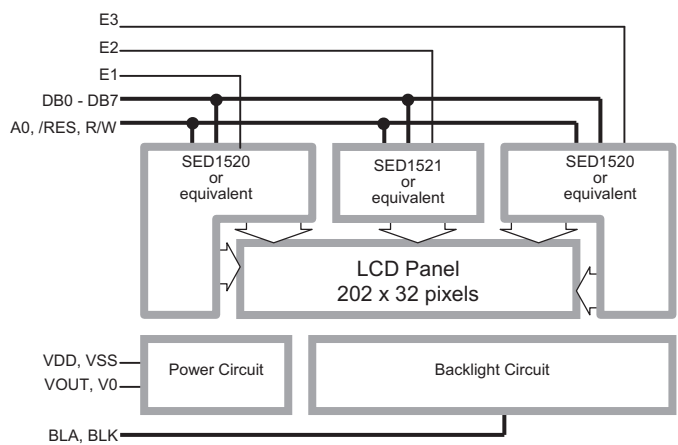
ELECTRICAL CHARACTERISTICS*

Item	Symbol	Min	Typ	Max
Operating Voltage (V)	V _{DD}	4.8	5.0	5.2
Input High Voltage (V)	V _{IH}	4.0	-	V _{DD}
Input Low Voltage (V)	V _{IL} V	ss	-	1.0
Operating Current (mA)	I _{DD}	-	2.5	7.5

BACKLIGHT CHARACTERISTICS

Item	Symbol	Min	Typ	Max
Forward Voltage (V)	V _{fBLA}	-	5.0	-
Forward Current (mA)	I _{fBLA}	-	120	150

BLOCK DIAGRAM



LM3121B series

	Highlight		
	LCD Mode	# Backlight	** Voltage
LM3121B*	FSTN-Neg	Green LED	5.0V
LM3121B-1	FSTN-Neg	White LED	5.0V

For similar product or (semi) custom made LCD module, please visit our web site or contact us.

*The above product information is based on this model.