

## TERMINAL FUNCTIONS

Pin	Name	Descriptions
1	VSS	0V Power Supply, Ground
2	VDD	Positive Power Supply
3	V0	LCD Contrast Reference
4	RS	Register Select RS=HIGH: Transferring Display Data RS=LOW: Transferring Instruction Data
5	R/W	In Read Mode, R/W = H: Data read from the LCD Module while E = H and the device is being selected.
6	E	In Write Mode, R/W = L: Data write to the LCD Module, at E = H->L and device is being selected.
7	DB0	8 bit Data Bus Three state I/O terminal for display data or instruction data
:	:	
14	DB7	
15	/CS1	Chip selection /CS1=0 enable access to left side (64 column) of the LCD module
16	/RST	Reset Signal /RST=L, Reset /RST=H, Normal running
17	/CS2	Chip selection /CS2=0 enable access to middle (64 column) of the LCD module
18	/CS3	Chip selection /CS3=0 enable access to right side (64 column) of the LCD module
19	VOUT	Power Booster Output for V0
20	BLA	LED Backlight Positive Power Supply

## DISPLAY CHARACTERISTICS

Item	Value
LCD Display Mode	FSTN, Positive, Transflective
Viewing Angle	6:00
Driving Method	1/64 duty, 1/9 bias
Backlight <sup>#</sup>	White LED Backlight

## MECHANICAL DATA

Item	Value
Outline (mm)	130.0 x 65.0 x 12.6MAX
Viewing Area (mm)	104.0 x 39.0
Active Area (mm)	97.88 x 32.6
Dot Pitch (mm)	0.51 x 0.51
Dot Size (mm)	0.47 x 0.47

## ABSOLUTE MAXIMUM

Item	Symbol	Min	Max
Operating Voltage (V)	V <sub>DD</sub>	0	7.0
Operating Temperature (°C)	T <sub>OP</sub>	-20	+70
Storage Temperature (°C)	T <sub>ST</sub>	-30	+80

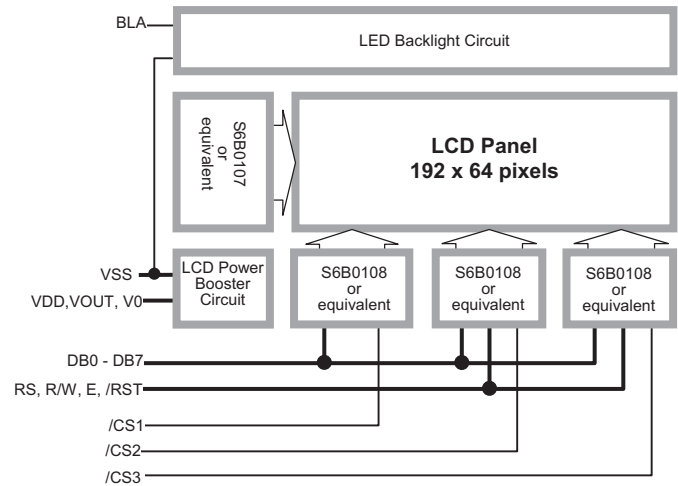
## ELECTRICAL CHARACTERISTICS

Item	Symbol	Min	Typ	Max
Operating Voltage (V)	V <sub>DD</sub>	4.8	5.0	5.2
Input High Voltage (V)	V <sub>IH</sub>	3.5	-	V <sub>DD</sub>
Input Low Voltage (V)	V <sub>IL</sub>	0	-	0.4
Operating Current (mA)	I <sub>DD</sub>	-	7.5	15.0

## BACKLIGHT CHARACTERISTICS

Item	Symbol	Min	Typ	Max
Forward Voltage (V)	V <sub>fBLA</sub>	-	5.0	-
Forward Current (mA)	I <sub>fBLA</sub>	-	160	200

## BLOCK DIAGRAM



## LM19264K series

	Highlight		
	LCD Mode	# Backlight	Terminal
LM19264K-4	STN-Blue	White LED	NO FFC
LM19264K-7	STN-Gray	White LED	NO FFC
LM19264KBC	STN-YG	YG LED	NO FFC
LM19264KBC-1	STN-YG	YG LED	FFC
LM19264KCC	FSTN-Pos	White LED	FCC
LM19264KCC-1*	FSTN-Pos	White LED	NO FFC

For similar product or (semi) custom made LCD module, please visit our web site or contact us.

\*The above product information is based on this model.