

OUTLINE DRAWING



TERMINAL FUNCTIONS

Pin	Name	Descriptions																								
1	VSS	0V Power Supply, Ground																								
2	VDD	Positive Power Supply																								
3	V0	LCD Contrast Reference																								
4	VOU	Power Booster Output for V0																								
5	RS	Register Select RS=HIGH: Transferring Display Data RS=LOW: Transferring Instruction Data																								
6	R/W	In Read Mode R/W = H																								
7	E	Data read from the LCD Module while E = H and the device is being selected. In Write Mode R/W = L Data write to the LCD Module, at E = H->L and device is being selected.																								
8	DB0	Data Bus																								
:	:	Three state I/O terminal for display data or instruction data																								
15	DB7																									
16	CSA	Chip Selection																								
17	CSB	Enable access to each section of the LCD module																								
18	CSC	<table border="1"> <thead> <tr> <th>CSC</th> <th>CSB</th> <th>CSA</th> <th>Function</th> </tr> </thead> <tbody> <tr> <td>0</td> <td>0</td> <td>0</td> <td>Enable access to the Left-Most Section (64 column) of the LCD module</td> </tr> <tr> <td>0</td> <td>0</td> <td>1</td> <td>Enable access to the Middle-Left Section (64 column) of the LCD module</td> </tr> <tr> <td>0</td> <td>1</td> <td>0</td> <td>Enable access to the Middle-Right Section (64 column) of the LCD module</td> </tr> <tr> <td>0</td> <td>1</td> <td>1</td> <td>Enable access to the Right-Most Section (64 column) of the LCD module</td> </tr> <tr> <td>1</td> <td>x</td> <td>x</td> <td>Disable all the access to LCD module</td> </tr> </tbody> </table>	CSC	CSB	CSA	Function	0	0	0	Enable access to the Left-Most Section (64 column) of the LCD module	0	0	1	Enable access to the Middle-Left Section (64 column) of the LCD module	0	1	0	Enable access to the Middle-Right Section (64 column) of the LCD module	0	1	1	Enable access to the Right-Most Section (64 column) of the LCD module	1	x	x	Disable all the access to LCD module
CSC	CSB	CSA	Function																							
0	0	0	Enable access to the Left-Most Section (64 column) of the LCD module																							
0	0	1	Enable access to the Middle-Left Section (64 column) of the LCD module																							
0	1	0	Enable access to the Middle-Right Section (64 column) of the LCD module																							
0	1	1	Enable access to the Right-Most Section (64 column) of the LCD module																							
1	x	x	Disable all the access to LCD module																							
19	/RST	Reset Signal /RST=L, Reset /RST=H, Normal running																								
20	BLA	LED Backlight Positive Power Supply																								

ABSOLUTE MAXIMUM

Item	Symbol	Min	Max
Operating Voltage (V)	V <sub>DD</sub>	0	7.0
Operating Temperature (°C)	T <sub>OP</sub>	-20	+70
Storage Temperature (°C)	T <sub>ST</sub>	-30	+80

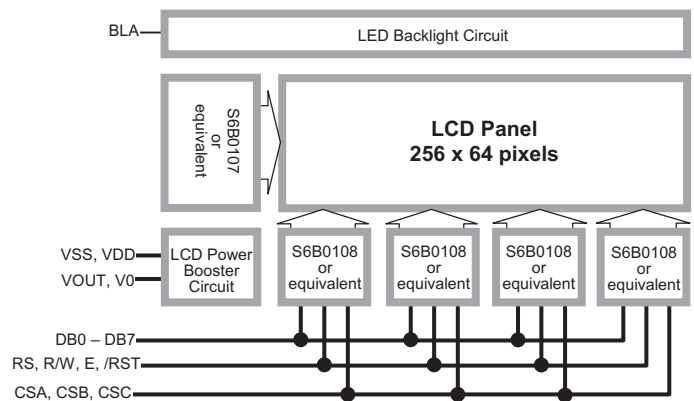
ELECTRICAL CHARACTERISTICS

Item	Symbol	Min	Typ	Max
Operating Voltage (V)	V <sub>DD</sub>	4.8	5.0	5.2
Input High Voltage (V)	V <sub>IH</sub>	3.5	-	V <sub>DD</sub>
Input Low Voltage (V)	V <sub>IL</sub>	0	-	0.4
Operating Current (mA)	I <sub>DD</sub>	-	6.0	18

BACKLIGHT CHARACTERISTICS

Item	Symbol	Min	Typ	Max
Forward Voltage (V)	V <sub>fBLA</sub>	-	5.0	-
Forward Current (mA)	I <sub>fBLA</sub>	-	120	150

BLOCK DIAGRAM



DISPLAY CHARACTERISTICS

Item	Value
LCD Display Mode	STN-Gray, Positive, Transmissive
Viewing Angle	6:00
Driving Method	1/64 duty, 1/9 bias
Backlight <sup>#</sup>	White LED Backlight

MECHANICAL DATA

Item	Value
Outline (mm)	137.0 x 39.6 x 11.3MAX
Viewing Area (mm)	108.6 x 29.6
Active Area (mm)	102.37 x 25.57
Dot Pitch (mm)	0.4 x 0.4
Dot Size (mm)	0.37 x 0.37

LM6800 series

	Highlight	
	LCD Mode	# Backlight
LM6800*	STN-Gray	White LED
LM6800-1	FSTN-Pos	White LED
LM6800-2	FSTN-Neg	White LED
LM6800-3	ESDN-Neg	

For similar product or (semi) custom made LCD module, please visit our web site or contact us.

\*The above product information is based on this model.