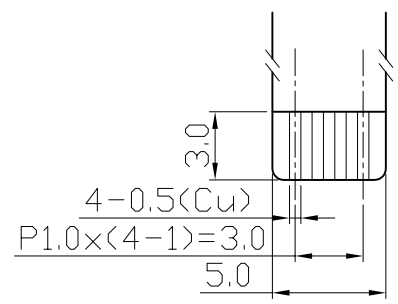
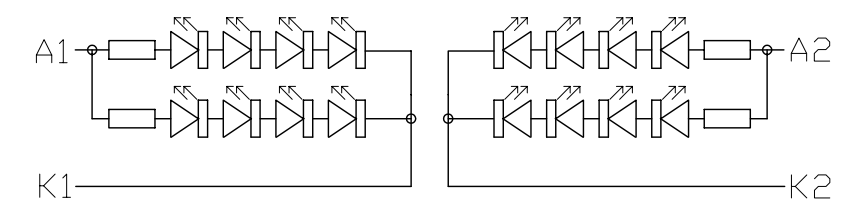
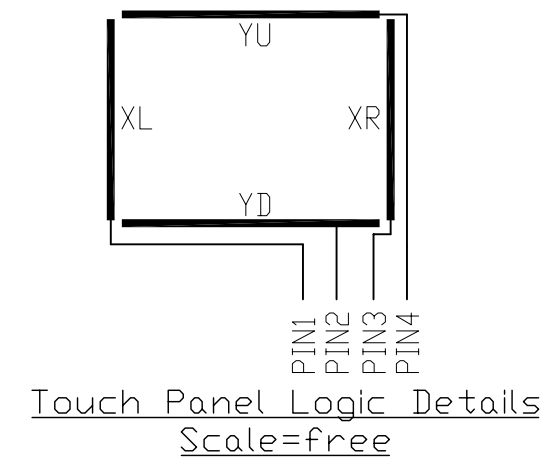


Touch Panel Terminal		K1 Terminal	
No	Pin Name	No	Pin Name
1	XL	1	VSS
2	YD	2	VSS
3	XR	3	VDD
4	YU	4	VDD
		5	A1
		6	/CS
		7	/RES
		8	D0
		9	D1
		10	D2
		11	D3
		12	D4
		13	D5
		14	D6
		15	D7
		16	WAIT
		17	/RD
		18	/WR0
		19	NC
		20	NC



- Note:
- *1. LCD Display Type: TFT, Transmissive
 - *2. Viewing Direction : 12H
 - *3. Pixel Arrangement: RGB-SPRIPE
 - *4. Operating Voltage: 5.0V
 - *5. Operating Temperature : -20°C~70°C
 - *6. Storage Temperature : -30°C~80°C
 - *7. Backlight: White LED

C		
B	-Revise Top,Tst	Zhou Huifang 2008-02-25
A	-Typing Correction	Lin Yan 2007-04-02
RevNote		Date
Dwg Title	LMT057DNAFWU-AAA Outline Dwg	
Dwg No.	MK-001660b-1-1	Date 2007-03-23
Scale	Tol.	Unit Paper Size
1/1	±0.5	mm A3
Approved	Checked	Drawn Lin Yan

