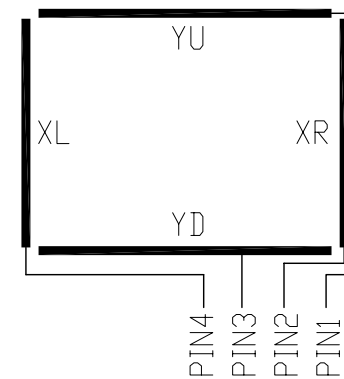
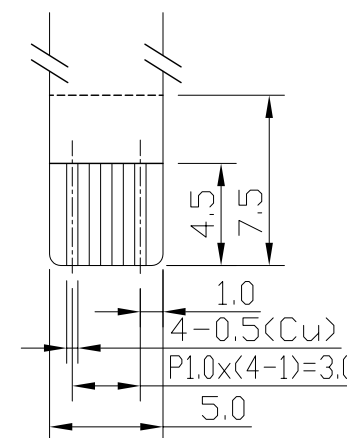


Backlight Circuit Details
(No. of LED = 6pcs)
Scale=free



Touch Panel Logic Details
Scale=free



Touch Panel FPC
Terminals Details
(Conductor Side)
Scale=3/1

K1 Terminal	
No	Pin Name
1	VSS
2	VSS
3	VDD
4	VDD
5	A1
6	/CS
7	/RES
8	D0
9	D1
10	D2
11	D3
12	D4
13	D5
14	D6
15	D7
16	WAIT
17	/RD
18	/WR0
19	NC
20	NC

- Note:
- *1. LCD Display Type: TFT.Transmissive
 - *2. Viewing Direction : 12H
 - *3. Pixel Arrangement: RGB-SPRIPE
 - *4. Operating Temperature : -20°C~70°C
 - *5. Storage Temperature : -30°C~80°C
 - *6. Backlight: White LED



C		
B		
A	Typing Correction	K.C. 2008-09-04
Rev/Note		Date
Dwg Title	LMT035DNAFWU-NAA Outline Dwg	
Dwg No.	MK-002024a-1-1	Date 2007-11-20
Scale	3/2	Tol. ±0.5
Unit	mm	Paper Size A3
Approved	Checked	Drawn Zhou Huifang

TOPWAY