



**TOPWAY displays**

info@topwaydisplays.eu

www.topwaydisplays.eu

# LMT070DICFWD-NAA

## LCD Module User Manual

Prepared by:	Checked by:	Approved by:
Date:	Date:	Date:

Rev.	Descriptions	Release Date
0.1	Preliminary release	2010-11-16
0.2	Update Jumper Setting	2010-11-18
0.3	Typing Correction in General Spec	2010-12-27
0.4	Typing Correction in General Spec	2011-05-13
0.5	Refine 7.1 Timing Characteristics	2012-02-09
0.6	Add 6.2 Touch panel Characteristics Details	2013-01-10

**Table of Content**

<b>1. Applications .....</b>	<b>3</b>
<b>2. General Specification .....</b>	<b>3</b>
<b>3. Block Diagram.....</b>	<b>3</b>
<b>4. Terminal Function.....</b>	<b>4</b>
<b>5. Absolute Maximum Ratings .....</b>	<b>5</b>
<b>6. Electrical Characteristics .....</b>	<b>5</b>
6.1 DC Characteristics.....	5
6.2 Touch panel Characteristics.....	5
<b>7. AC Characteristics.....</b>	<b>6</b>
7.1 Timing Characteristics .....	6
7.2 Input Clock and Data Timing Diagram .....	6
7.3 Timing.....	7
7.4 Data Input Format.....	7
7.5 Optical Characteristics.....	8
<b>8. Precautions of using LCD Modules.....</b>	<b>9</b>
<b>9. Appendix &lt;Inspection items and criteria for appearance defect&gt;.....</b>	<b>10</b>

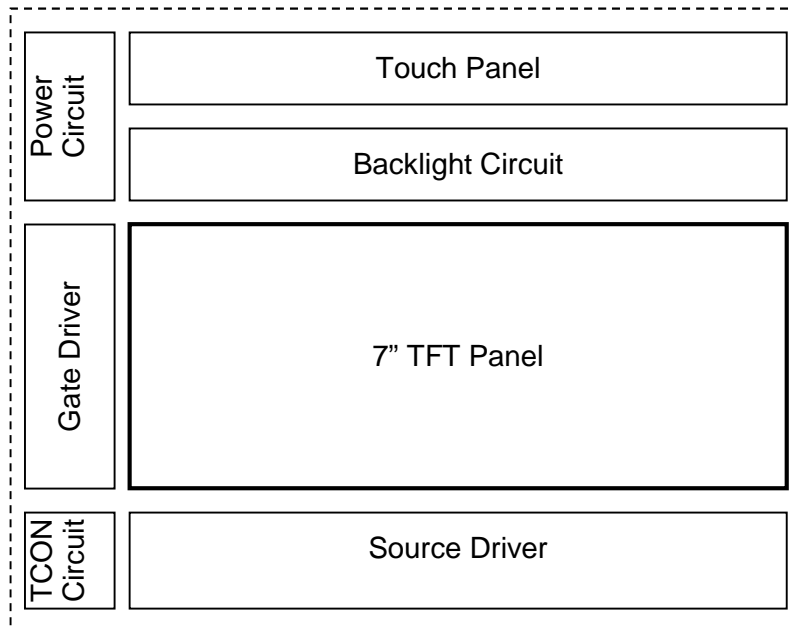
### 1. Applications

This Module is designed for application which require high quality flat panel displays. It is also a good substitute for many outmoded CSTN module in the industrial application.

### 2. General Specification

Signal Interface :	Digital 24-bits RGB
Display Technology :	a-Si TFT active matrix
Display Mode :	Transmissive / Normal White
Screen Size(Diagonal) :	7.0"
Outline Dimension :	190.0 x 112.0 x 13.4 (mm) (see attached drawing for details)
Active Area :	154.08 x 85.92 (mm)
Number of dots :	800 x 3 (RGB) x 480
Pixel Pitch :	0.0642 x 0.179 (mm)
Pixel Configuration :	RGB Stripe
Backlight :	LED
Surface Treatment :	Anti-Glare Treatment
Viewing Direction :	6 o'clock
Touch Panel:	4wire resistive
Operating Temperature :	-20 ~ +70°C
Storage Temperature :	-30 ~ +80°C

### 3. Block Diagram



**4. Terminal Function**

K2 Pin No.	Pin Name	I/O	Descriptions	
			DE Mode <default>	Sync Mode
1	VCC	Power	Positive Power Supply	
2	VCC			
3	B0	Input	Blue Data	
:	:			
10	B7			
11	GND	Power	Power Supply GND (0V)	
12	G0	Input	Green Data	
:	:			
19	G7			
20	GND	Power	Power Supply GND (0V)	
21	R0	Input	Red Data	
:	:			
28	R7			
29	GND	Power	Power Supply GND (0V)	
30	LED_ADJ	Input	LED driver enable control	
31	NC	--	No connection, leave open	
32	NC	--	No connection, leave open	
33	DE	Input	DE Signal Input	Pull Lo
34	VS	Input	Pull Hi	Vertical Sync Input
35	HS	Input	Pull Hi	Horizontal Sync Input
36	DCLK	Input	Data Clock Input Data shall be latched at the falling edge of DCLK.	
37	TSXM	Passive	Touch Screen X- terminal	
38	TSXP	Passive	Touch Screen X+ terminal	
39	TXYM	Passive	Touch Screen Y- terminal	
40	TSYP	Passive	Touch Screen Y+ terminal	

**Jumper Setting**

JP1	JP2	JP3	JP4	JP5	JP6	JP7	JP8	Function Descriptions
<b>CLOSE</b>	<b>OPEN</b>	-	-	-	-	-	-	DE MODE <default>
<b>OPEN</b>	<b>CLOSE</b>	-	-	-	-	-	-	SYNC MODE
-	-	<b>CLOSE</b>	<b>OPEN</b>	<b>OPEN</b>	<b>CLOSE</b>	-	-	Up to down, left to right <default>
-	-	<b>OPEN</b>	<b>CLOSE</b>	<b>CLOSE</b>	<b>OPEN</b>	-	-	Down to up, right to left
-	-	<b>OPEN</b>	<b>CLOSE</b>	<b>OPEN</b>	<b>CLOSE</b>	-	-	Up to down, right to left
-	-	<b>CLOSE</b>	<b>OPEN</b>	<b>CLOSE</b>	<b>OPEN</b>	-	-	Down to up, left to right
-	-	-	-	-	-	<b>CLOSE</b>	<b>OPEN</b>	Disable internal dithering function <default>
-	-	-	-	-	-	<b>OPEN</b>	<b>CLOSE</b>	Enable internal dithering function

Note:

- \* 1. When select DE mode, MODE="1", VS and HS must pull high.  
When select SYNC mode, MODE="0", DE must be grounded.

### 5. Absolute Maximum Ratings

Items	Symbol	Min.	Max.	Unit	Condition
Power Supply voltage	V <sub>CC</sub>	-0.3	6.0	V	
Operating Temperature	T <sub>OP</sub>	-20	70	°C	No Condensation
Storage Temperature	T <sub>ST</sub>	-30	80	°C	No Condensation

Note:

- \*1. This rating applies to all parts of the module. And should not be exceeded.
- \*2. The operating temperature only guarantees operation of the circuit. The contrast, response speed, and the other specification related to electro-optical display quality is determined at the room temperature, T<sub>OP</sub>=25.
- \*3. Ambient temperature when the backlight is lit (reference value)
- \*4. Any Stresses exceeding the Absolute Maximum Ratings may cause substantial damage to the device. Functional operation of this device at other conditions beyond those listed in the specification is not implied and prolonged exposure to extreme conditions may affect device reliability.

### 6. Electrical Characteristics

#### 6.1 DC Characteristics

Top=25°C, GND=0V

Items	Symbol	Min.	Typ.	Max.	Unit	Remark
Power Supply Voltage	V <sub>CC</sub>	4.5	5.0	5.5	V	(*1)
Input logic high voltage	V <sub>IH</sub>	3.0	-	3.6	V	
Input logic low voltage	V <sub>IL</sub>	0	-	0.7	V	
Logic Supply (VDD)	I <sub>VDD</sub>	-	255	640	mA	LED_ADJ=Hi (*3)

Note:

- \*1. Never apply logic signal before the VCC.
- \*2. PWM signal (Freq<800Hz) could be applied to LED\_ADJ pin for backlight brightness control, where its life time could be extend by lower its brightness.

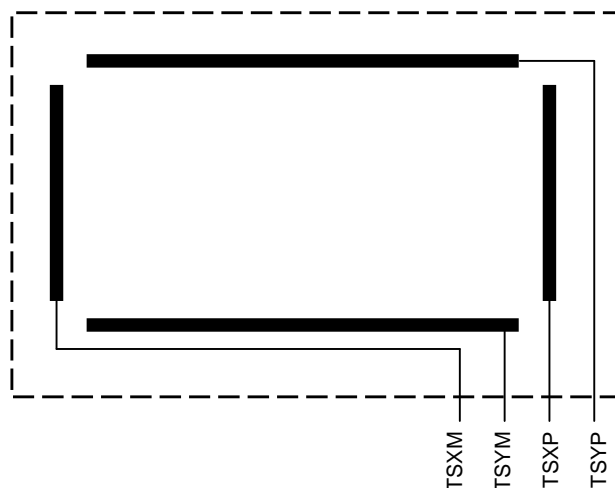
#### 6.2 Touch panel Characteristics

T<sub>OP</sub> =25°C

Items	MIN.	TYP.	MAX.	Unit	Applicable Pin
Terminal resistance	100	-	900	Ω	X- terminal
	200	-	1200	Ω	Y- terminal
Operating Voltage	-	-	7	V	-
Response time	-	-	10	ms	-
Operating Force	100	-	160	g	-
Life Time	-	1,000,000	-	times	-

Cautions:

Exceeding the recommended Condition could cause substantial damage to the touch panel and shorten its lifetime.

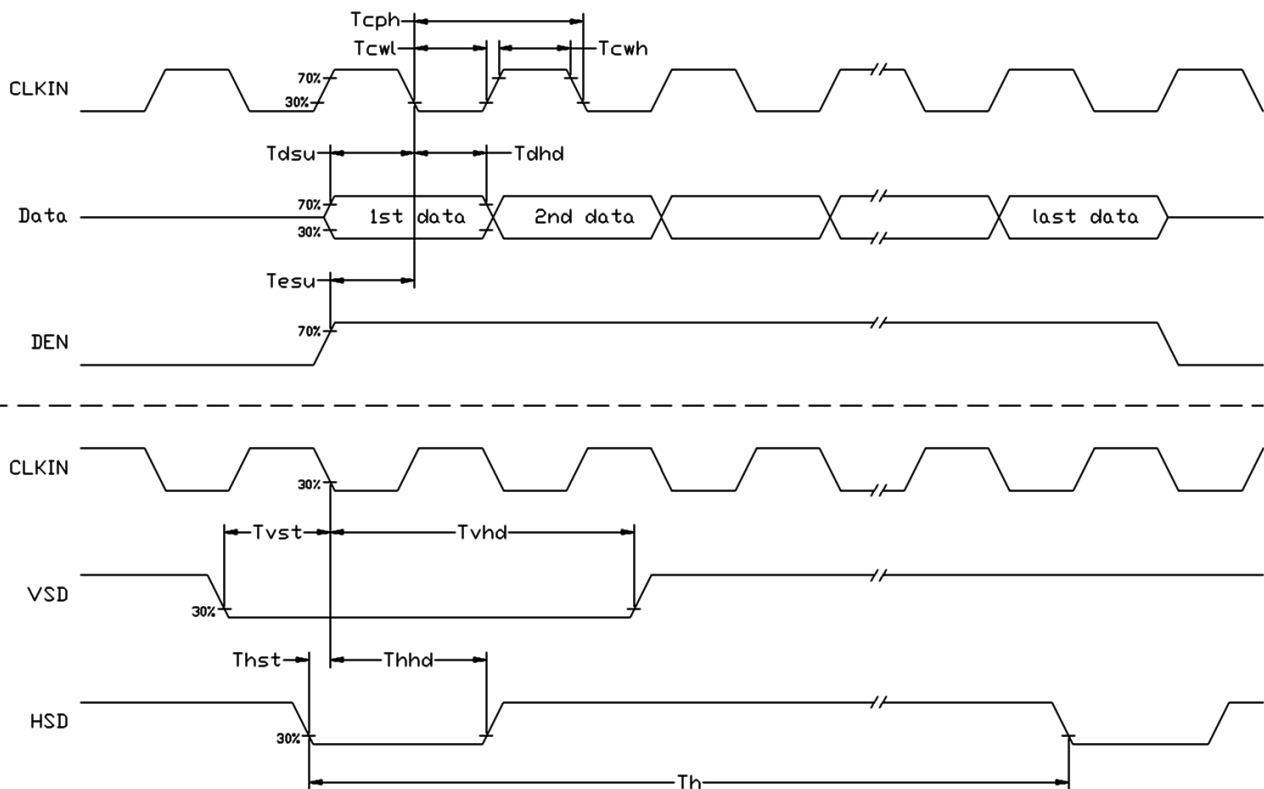


## 7. AC Characteristics

### 7.1 Timing Characteristics

Item	Symbol	MIN.	TYP.	MAX.	Unit	Remark
HS setup time	Thst	8	-	-	ns	
HS hold time	Thhd	8	-	-	ns	
VS setup time	Tvst	8	-	-	ns	
VS hold time	Tvhd	8	-	-	ns	
Data setup time	Tdsu	8	-	-	ns	
Data hole time	Tdhd	8	-	-	ns	
DE setup time	Tesu	8	-	-	ns	
V <sub>CC</sub> Power On Slew rate	TPOR	-	-	20	ms	From 0 to 90% V <sub>CC</sub>
DCLK cycle time	Tcph	20	-	-	ns	
DCLK pulse duty	Tcwh	40	50	60	%	

### 7.2 Input Clock and Data Timing Diagram





7.5 Optical Characteristics

Item	Symbol	Condition	MIN.	TYP.	MAX.	UNIT	Note.
Viewing angle (CR ≥ 10)	$\theta_L$	9 o'clock	60	70	-	degree	*2
	$\theta_R$	3 o'clock	60	70	-		
	$\theta_T$	12 o'clock	40	50	-		
	$\theta_B$	6 o'clock	60	70	-		
Response Time	$T_f$	Normal $\theta=0^\circ$	-	10	20	msec	*3
	$T_r$		-	15	30	msec	
Contrast ratio	CR		400	500	-	-	*1
Color chromaticity	$W_X$		0.26	0.31	0.26	-	
	$W_Y$		0.28	0.33	0.38	-	
Luminance	L		200	250	-	cd/m <sup>2</sup>	*4
Luminance uniformity	$Y_U$		70	75	-	%	*4

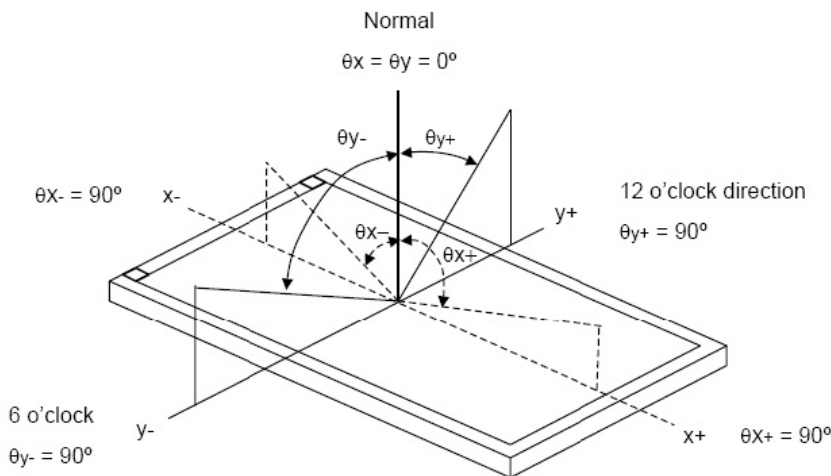
Note:

\*1. Definition of Contrast Ratio

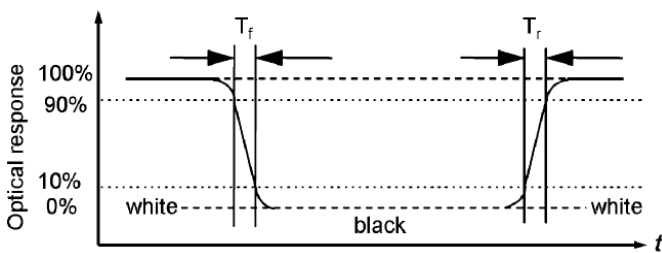
The contrast ratio could be calculate by the following expression:

Contrast Ratio (CR) = Luminance with all pixels white / Luminance with all pixels black

\*2 Definition of Viewing Angle



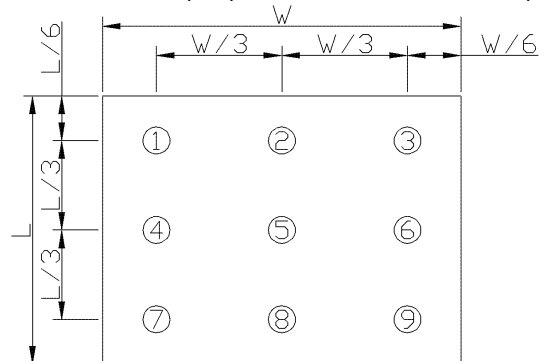
\*3 Definition of response time



\*4 Definition of Luminance Uniformity

Luminance uniformity (Lu)=

Min. Luminance form pt1~pt9 / Max Luminance form Pt1~pt9



\*5. Given parameter measured without touch panel.



## 8. Precautions of using LCD Modules

### Mounting

- Mounting must use holes arranged in four corners or four sides.
- The mounting structure so provide even force on to LCD module. Uneven force (ex. Twisted stress) should not applied to the module. And the case on which a module is mounted should have sufficient strength so that external force is not transmitted directly to the module.
- It is suggested to attach a transparent protective plate to the surface in order to protect the polarizer. It should have sufficient strength in order to the resist external force.
- The housing should adopt radiation structure to satisfy the temperature specification.
- Acetic acid type and chlorine type materials for the cover case are not desirable because the former generates corrosive gas of attacking the polarizer at high temperature and the latter causes circuit break by electro-chemical reaction.
- Do not touch, push or rub the exposed polarizers with glass, tweezers or anything harder than HB pencil lead. Never rub with dust clothes with chemical treatment. Do not touch the surface of polarizer for bare hand or greasy cloth.(Some cosmetics deteriorate the polarizer.)
- When the surface becomes dusty, please wipe gently with absorbent cotton or other soft materials like chamois soaks with petroleum benzine. Normal-hexane is recommended for cleaning the adhesives used to attach front / rear polarizers. Do not use acetone, toluene and alcohol because they cause chemical damage to the polarizer.
- Wipe off saliva or water drops as soon as possible. Their long time contact with polarizer

### Operating

- The spike noise causes the mis-operation of circuits. It should be within the  $\pm 200\text{mV}$  level (Over and under shoot voltage)
- Response time depends on the temperature.(In lower temperature, it becomes longer.)
- Brightness depends on the temperature. (In lower temperature, it becomes lower.) And in lower temperature, response time(required time that brightness is stable after turned on) becomes longer.
- Be careful for condensation at sudden temperature change. Condensation makes damage to polarizer or electrical contacted parts. And after fading condensation, smear or spot will occur.
- When fixed patterns are displayed for a long time, remnant image is likely to occur.
- Module has high frequency circuits. Sufficient suppression to the electromagnetic interference shall be done by system manufacturers. Grounding and shielding methods may be important to minimized the interference

### Electrostatic Discharge Control

Since a module is composed of electronic circuits, it is not strong to electrostatic discharge. Make certain that treatment persons are connected to ground through wrist band etc. And don't touch interface pin directly.

### Strong Light Exposure

Strong light exposure causes degradation of polarizer and color filter.

### Storage

When storing modules as spares for a long time, the following precautions are necessary.

- Store them in a dark place. Do not expose the module to sunlight or fluorescent light. Keep the temperature between  $5^{\circ}\text{C}$  and  $35^{\circ}\text{C}$  at normal humidity.
- The polarizer surface should not come in contact with any other object. It is recommended that they be stored in the container in which they were shipped.

### Protection Film

- When the protection film is peeled off, static electricity is generated between the film and polarizer. This should be peeled off slowly and carefully by people who are electrically grounded and with well ion-blown equipment or in such a condition, etc.
- The protection film is attached to the polarizer with a small amount of glue. If some stress is applied to rub the protection film against the polarizer during the time you peel off the film, the glue is apt to rub main on the polarizer. Please carefully peel off the protection film without rubbing it against the polarizer.
- When the module with protection film attached is stored for a long time, sometimes there remains a very small amount of glue still on the polarizer after the protection film is peeled off.
- You can remove the glue easily. When the glue remains on the polarizer surface or its vestige is recognized, please wipe them off with absorbent cotton waste or other soft material like chamois soaked with normal-hexane.

### Transportation

The LCD modules should be no falling and violent shocking during transportation, and also should avoid excessive press, water, damp and sunshine.

**9. Appendix <Inspection items and criteria for appearance defect>**

**Bright/Dark Dots:**

Defect Type	Specification	Major	Minor
Bright Dots	$N \leq 2$		•
Dark Dots	$N \leq 3$		•
Total Bright and Dark Dots	$N \leq 4$		•

- Note: 1. **The definition of dot:** The size of a defective dot over 1/2 of whole dot is regarded as one defective dot.
2. **Bright dot:** Dots appear bright and unchanged in size in which LCD panel is displaying under black pattern.
3. **Dark dot:** Dots appear dark and unchanged in size in which LCD panel is displaying under pure red, green, blue pattern.