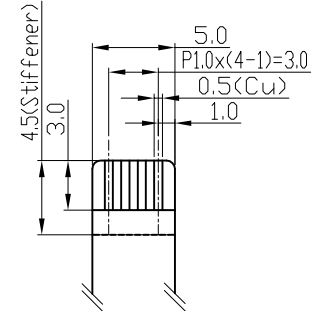
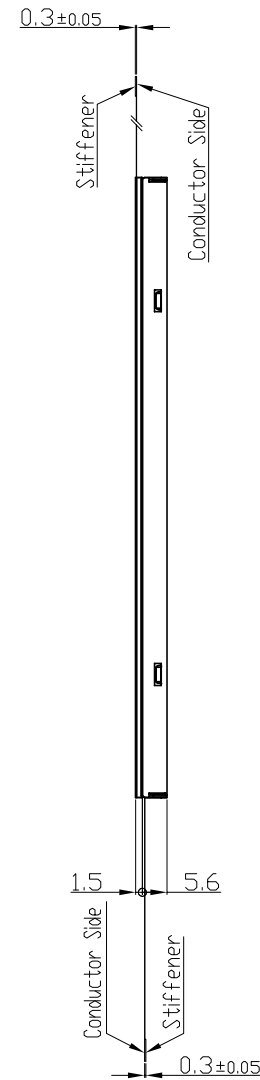
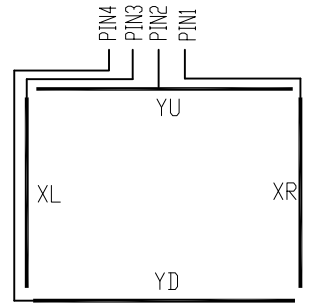


TOPWAY displays
 info@topwaydisplays.eu
 www.topwaydisplays.eu

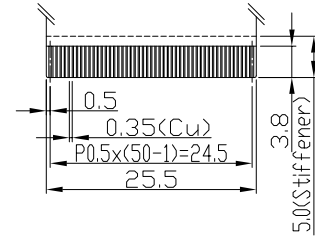


Touch Panel FPC
 Terminals Details
 (Conductor Side)
 Scale=3/1



Touch Panel Logic Details
 Scale=Free

K1 Terminal	
No	Pin Name
1	NC
2	NC
3	NC
4	NC
5	GND
6	VCOM
7	VCC
8	MODE
9	DE
10	VS
11	HS
12	B7
:	:
19	B0
20	G7
:	:
27	G0
28	R7
:	:
35	R0
36	GND
37	DCLK
38	GND
39	L/R
40	U/D
41	VGH
42	VGL
43	AVDD
44	RESET
45	NC
46	VCOM
47	DITHB
48	GND
49	NC
50	NC



K1 Terminals Details
 (Conductor Side)
 Scale=3/2

- Note:
- *1. LCD Display Type: TFT.Transmissive
 - *2. Pixel Arrangement: RGB-STRIPE
 - *3. Operating Voltage : 3.3V
 - *4. Backlight Supply : 180mA (9.6V Typ.)
 - *5. Backlight : LEDs
 - *6. Color Depth : 16M colors
 - *7. K2 Connector Type : 35001-HS-02 or equivalent
 - *8. Operating Temperature : -20°C~70°C
 - *9. Storage Temperature : -30°C~80°C

C		
B	Refine Dwg	Yang 2012-05-03
A	Refine Dwg	Yang 2011-12-21
Rev Note		Date
Dwg Title LMT080DIEFWU-NNA Outline Dwg		
Dwg No.	MK-003834b-1-1	Date 2012-04-25
Scale	Tol.	Unit Paper Size
4/5	±0.5	mm A3
Approved	Checked	Drawn Yang Lin
TOPWAY		