

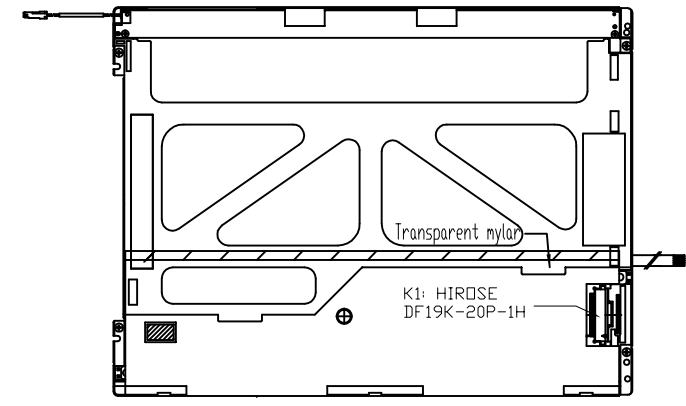
High Voltage Cable  
Color:Red

Low voltage Cable  
Color:White

K1 Terminal	
No.	Pin Name
1	VDD
2	VDD
3	GND
4	GND
5	IN0-
6	IN0+
7	GND
8	IN1-
9	IN1+
10	GND
11	IN2-
12	IN2+
13	GND
14	CLK-
15	CLK+
16	GND
17	NC
18	NC
19	GND
20	GND

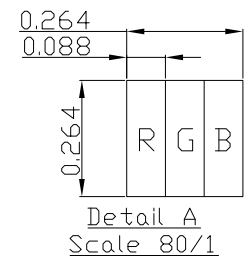
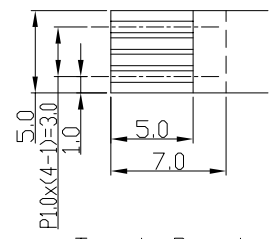
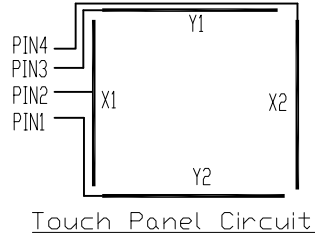


**TOPWAY displays**  
 info@topwaydisplays.eu  
 www.topwaydisplays.eu



Back Side View  
Scale 2/5

- Note:
- \*1. LCD Display Type : TFT, Transmissive
  - \*2. Pixel Arrangement : RGB-SPRIPE
  - \*3. Viewing Direction : 12H
  - \*4. Supply Voltage : 3.3V
  - \*5. Backlight Supply : 120mA (19.2V TYP.)
  - \*6. Operating Temperature : -20°C~70°C
  - \*7. Storage Temperature : -30°C~80°C
  - \*8. Connector type :  
 K1(20pin) connector : HIROSE DF19K-20P-1H (or equivalent)  
 CN2(BACKLIGHT) connector : JST BHSR-02VS-1 (or equivalent)  
 MATING connector : JST SM02B-BHSS-1-TB (or equivalent)



B			
A			
Rev	Note	Date	
Dwg Title LMT104SBH01-NNC Outline Dwg			
Dwg No.	MK-003720-1-1	Date	2011-09-06
Scale	2/1	Tol.	±0.5
Unit	mm	Paper Size	A3
Approved	Checked	Drawn Yang Lin	

